

# Garage Doors - Panel Door

ETDOOR ET-800E



## Main features

The ET-800E provides the best solution for performance, features, reliability and durability.

- Metal base - for added strength and durability, with a galvanised steel plate of 2 mm thickness.
- Internal Interface - for ease of adding accessories.
- LED light - Maximum illumination, longevity and low energy consumption.
- O/S/C button - providing easy operation in case of lost remote.

**5 Year Motor Warranty**  
**2 Year General Warranty**

## Panel Door Motor

Article Code	Description of Article
ET800E	24 V operator, 800N w/encoder for up to 14.5 square metres with 2 x remotes and 1 wireless wall switch

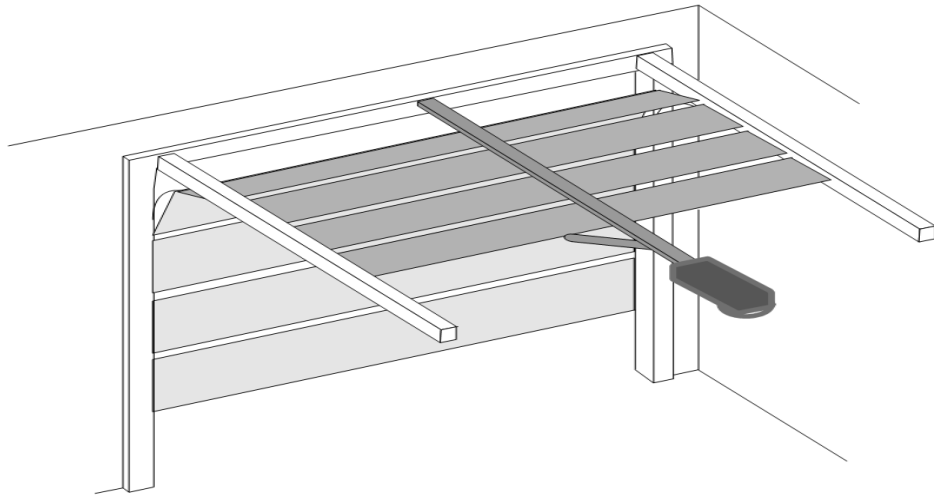
## Accessories

Article Code	Description of Article
ETRR	Stand alone receiver for ET model garage openers
ETR4	Miniature transmitters for ET Door range
ETWK	Wireless keypad
ETMR	Panel door manual release

## Key features

Auto close (with photocell)	Torque/Thrust	800N
Electronic limit switches	Motor	24 V DC
Automatic safety reverse	Input power	240 V AC
3 minute courtesy light	Protection	3Amp internal fuse
Manual release in case of power failure	Force sensing	Yes (reverse on obstacle)
Belt drive, low noise	Soft-Start / Soft-Stop	Yes (reverse on obstacle)
Remote control	Rail	Steel
Photocell safety (optional)	Drive	Belt
Backup battery (optional)	Radio Frequency	433.92 MHz Rolling Code
Wall mount remote	Rated Door Area	14.5 square meters

## Technical details



Wireless Wall Switch



Cable Lock



Door Remote

