



# Automations for sliding gates

EN



# PER FORMING ING

**A complete range of products for any type of service.**

Sliding gates demand flexible automation that is able to manage different frame dimensions, different types of duty and different environmental conditions, whilst always ensuring maximum operational safety, functioning and reliability. The range of Ditec automation satisfies various private, commercial and industrial requirements.

When selecting the motor, the main factor to consider is the weight and, depending on the case, the length of the wing.

# Ditec NeoS

**Aesthetically attractive and full of technical content, for sliding gates with wing up to 900 kg  
For heavy duty**

If sturdiness, style and functionality are among the main characteristics, the two elements which characterize it are, without a doubt, the advanced performance of the electronic panels and the attention to energy savings, with 24 V new generation automation which provides high yield in terms of performance, whilst minimizing energy consumption both during use and in stand-by mode, when photocells and radar remain active.



## Discover the features which make Ditec NeoS truly unique

<b>Pleasing style</b>	Decisive and refined design suitable for the most modern houses as well as traditional ones. 2 different sizes to satisfy all load capacity up to 900 kg. Built-in photocell for greater safety and practicality.
<b>Simplicity and quality in the installation</b>	Perfect integration of the components to guarantee a careful, clean aesthetic and easy maintenance: the care in the technical details guarantees high quality, professional installations.  The gear motor is a single block, without seals and the structural connections are reduced to a minimum; the easily removed polymeric cover can also be fastened with two additional screws.
<b>Visual check for the installer and the user</b>	The panel is supplied with a 2 digit display on all versions, through which it can give the installing technician information on the operational status as well as any problems that exist.  The micro USB port located on the card makes it possible to rapidly check and diagnose issues on a PC.  The NeoS+ version, provided with external LEDs, displays the product's operating status and gives information quickly and simply on any anomalies.
<b>Safety against outside elements</b>	Thanks to how the internal spaces have been optimised and how the wiring has been secured, bad weather is no longer a problem.  With the NIO function, the temperature sensor adapts the force of the motor to the conditions: cold and snow are now no obstacle.  Lastly, the vertical position of the electronic card prevents humidity from collecting as well as potentially damaging pools of liquid.
<b>Safety in movement</b>	Just press a button of the remote control and the Ditec motor springs into action: position and speed are managed in complete safety by a virtual encoder and magnetic limit switches (optional on some versions).  For maximum safety during closing operations, the operator comes with sensitive edges installed: in case of contact, the automation reverses the movement preventing damage to persons and things.
<b>Control and security in your hands</b>	The installation of Ditec Neos can be amply customised thanks to a wide selection of command, control and safety accessories.  You are comfortably seated in your car, simply press a button on your remote control and the Ditec automation springs into action, powerful and silent.  By simply pressing a button you can open and close your gate in a timed, pre-programmed way, operate partial opening and turn on the lights in the garden.
<b>Solar Energy system</b>	The panel is designed for solar power, and is optimised to operate with low energy consumption. The internal batteries (optional) guarantee the power supply to the panel: with a recharging card and the solar panels, obtaining a complete solar energy power supply system is simple.

# Ditec NeoS

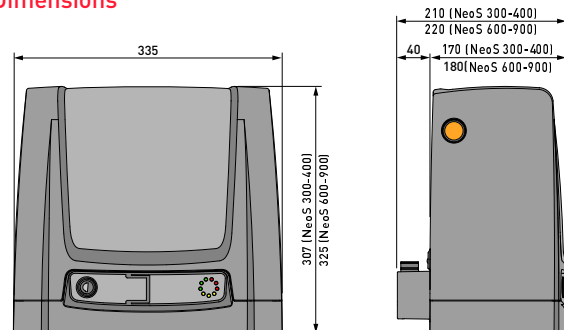
## Example of installation and technical characteristics

### Product range

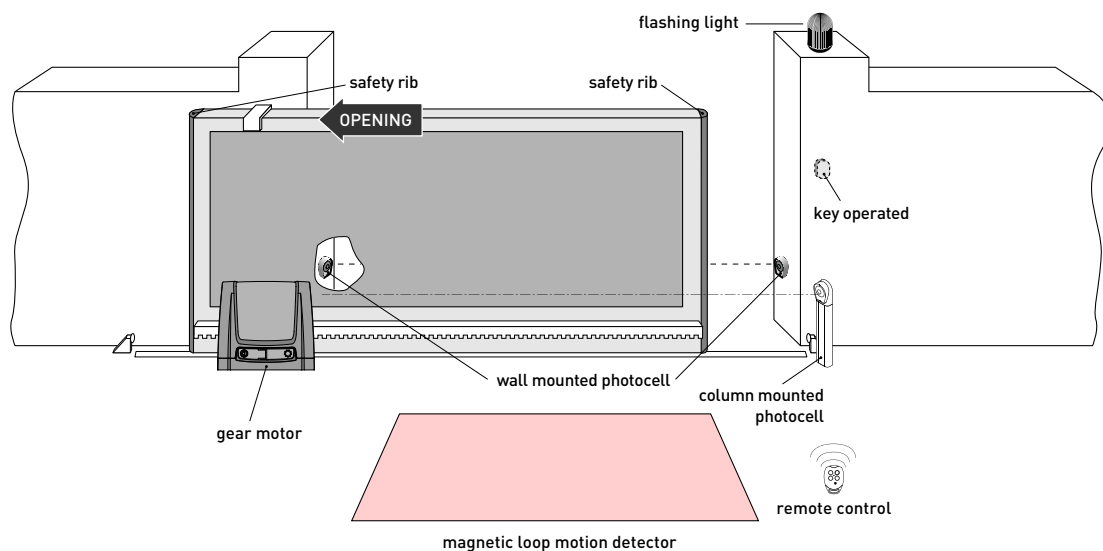
	wing weight up to	Template
NeoS 300	300 kg	standard
NeoS <sup>+</sup> 300	300 kg	high level
NeoS 400	400 kg	standard
NeoS <sup>+</sup> 400	400 kg	high level
NeoS 600	600 kg	standard
NeoS <sup>+</sup> 600	600 kg	high level
NeoS <sup>+</sup> 900	900 kg	high level

24 V DC gate operators

### Dimensions



### Example installation



# Ditec Cross 18 and Ditec Cross 19

A model for every requirement, for sliding gates with wing up to 1800 kg  
For heavy duty

The automation for Ditec Cross 18 and Ditec Cross 19 sliding gates is designed to resist even the most severe weather conditions.

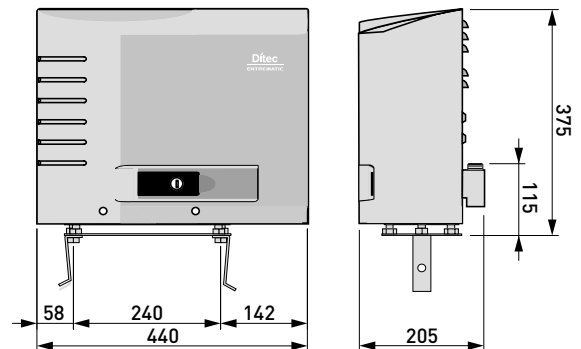
Tested over their entire life cycle, extremely practical and with a simple and immediate maintenance, they guarantee maximum reliability and total safety of use in conformity with European regulations.

## The features that make all the difference

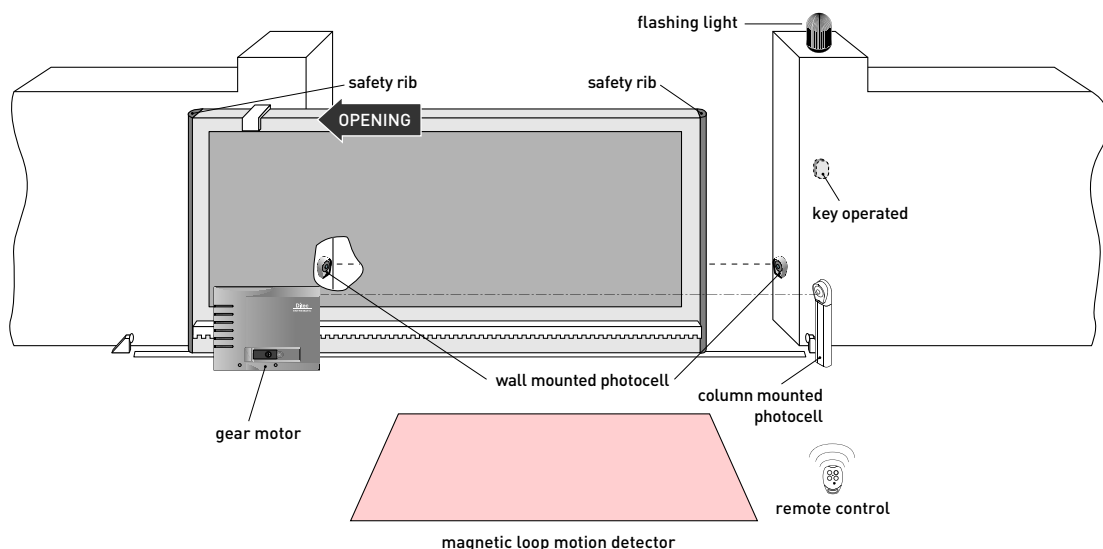
- Automation with three different solutions of limit switch operation
- Easy to release by key using the front flap opening
- Sturdy and powerful motor
- Silent
- Ditec Cross 19 with 400 V three-phase motor
- Wide range of accessories to meet various operational requirements



## Dimensions



## Example installation



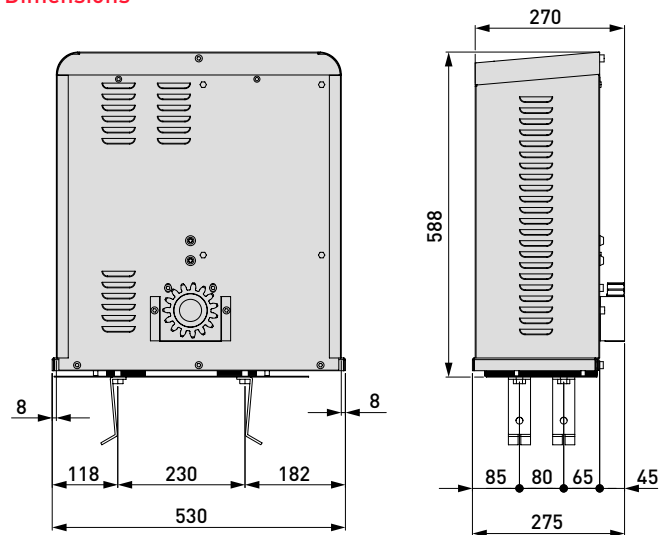
# Ditec Cross 30

Strong, powerful, for sliding gates with wing up to 3000 kg  
For very heavy duty

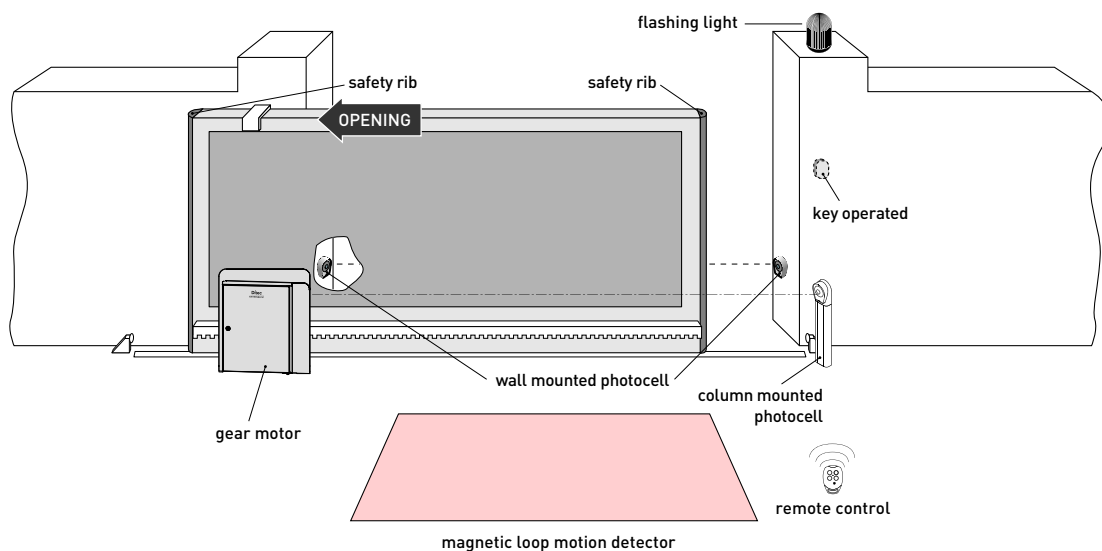
Ditec Cross 30, designed for very heavy use, is ideal in industrial entrances and public access passages. Strong and powerful, with a thrust of 3000 N and a 400 V three-phase motor, it is extremely easy to install. The entire electromechanical system is, in fact, built into a sturdy steel cabinet, equipped with a practical and wide front panel for easy access to the components. Other notable elements are the built-in control panel, the magnetic limit switch and the easy key release.



## Dimensions




## Example installation



## Technical specifications

Description	NeoS 300	NeoS 400	NeoS 600	NeoS 900	Cross 18	Cross 18E	Cross 18VE	Cross 19V	Cross 30E
Electromechanical actuator	up to 300 kg	up to 400 kg	up to 600 kg	up to 900 kg	up to 1800 kg	up to 1800 kg	up to 1800 kg	up to 1800 kg	up to 3000 kg
Stroke control	virtual encoder	virtual encoder	virtual encoder	virtual encoder	rotary limit switch	lever-operated limit switch	magnetic limit switch	magnetic limit switch	magnetic limit switch
Capacity	300 kg	400 kg	600 kg	900 kg	1800 kg	1800 kg	1800 kg	1800 kg	3000 kg
Duty class	4 - heavy duty	4 - heavy duty	4 - heavy duty	4 - heavy duty	4 - heavy duty	4 - heavy duty	4 - heavy duty	4 - heavy duty	5 - very heavy duty
Intermittent operation	S2 = 30 min S3 = 50%	S2 = 30 min S3 = 50%	S2 = 30 min S3 = 50%	S2 = 30 min S3 = 50%	S2 = 30 min S3 = 50%	S2 = 30 min S3 = 50%	S2 = 30 min S3 = 50%	S2 = 30 min S3 = 50%	S3 = 100%
Power supply	230 V AC 50-60 Hz	230 V AC 50-60 Hz	230 V AC 50-60 Hz	230 V AC 50-60 Hz	230 V AC 50 Hz	230 V AC 50 Hz	230 V AC 50 Hz	400 V AC 50 Hz	400 V AC 50 Hz
Power input	3 A	3 A	3 A	5 A	3 A	3 A	3 A	1.2 A	2.1 A
Thrust	300 N	400 N	600 N	1000 N	1200 N	1200 N	1200 N	1500 N	3000 N
Opening and closing speed	0.09 - 0.25 m/s	0.25 m/s	0.24 m/s	0.19 m/s	0.2 m/s	0.2 m/s	0.2 m/s	0.2 m/s	0.16 m/s
Maximum stroke	12 m	12 m	20 m	20 m	11 m	20 m	20 m	20 m	20 m
Release system for manual opening	key-operated	key-operated	key-operated	key-operated	key-operated	key-operated	key-operated	key-operated	key-operated
Operating temperature	-20°C / +55°C	-20°C / +55°C	-20°C / +55°C	-20°C / +55°C	-20°C / +55°C (-35°C / +55°C with NIO enabled)	-20°C / +55°C (-35°C / +55°C with NIO enabled)	-20°C / +55°C (-35°C / +55°C with NIO enabled)	-20°C / +55°C	-20°C / +55°C
Protection rating	IP 34	IP 34	IP 34	IP 34	IP 24D	IP 24D	IP 24D	IP 24D	IP 45
Product dimensions (mm)	335x210x307	335x210x307	335x220x325	335x220x325	440x205x375	440x205x375	440x205x375	440x205x375	530x275x588
Control panel	CS12E - CS12M	CS12E - CS12M	CS12E - CS12M	CS12M	E1A LOGICM	E1A (built-in)	LOGICM (built-in)	E1T	E1T (built-in)

## System functions

	NeoS 300 - NeoS 400 NeoS 600 - NeoS 900	NeoS* 300 - NeoS* 400 NeoS* 600 - NeoS 900	Cross 18 -18VE	Cross 19V Cross30E
<b>Description</b>	<b>CS12E</b>	<b>CS12M</b>	<b>LOGICM</b>	<b>E1T</b>
Control panel	for 1 24 V DC motor with built-in radio	for 1 24 V DC motor with built-in radio	for 1 or 2 230 V AC motors	for 1 400 V AC motor three-phase
Mains power supply	230 V AC / 50-60 Hz	230 V AC / 50-60 Hz	230 V AC / 50-60 Hz	230 V AC / 50-60 Hz
Batteries		■ (optional)		
 Energy saving	energy saving when in use	energy saving when in stand-by and in use		
Number of motors	1	1	1	1
Motor power supply	24 V DC	24 V DC	230 V AC / 1 x 5 A 230 V AC / 2 x 2.5 A	400 V AC / 6 A
Accessories power supply	24 V DC / 0.5 A	24 V DC / 0.5 A	24 V DC / 0.5 A	24 V Dc / 0.5 A
Flashing light	24 V	24 V	230 V and 24 V	24 V
Gate open warning light		analog	from limit switch and analogue	from limit switch
Courtesy light		■	■ (only with 1 motor)	■
Encoder (to control speed and deceleration)	virtual	virtual		
Force setting	display	display	transformer	
ODS - Obstruction Detection System	■	■	■	
Speed setting	display	display		
Braking / slowing down	display	display		
Time setting			■	
Open control	■	■	■	■ (with dip-switch)
Partial opening control	■ (only with radio)	■	■	■
Close control	■	■	■	■
Temporised automatic closing	■	■	■	■
Inching control	■	■	■	■
Hold-to-run control	■	■	■	■
Emergency stop	■	■	■	■
Emergency reverse	■	■	■	■
Safety test	■	■	■	■
Soft Start	■	■		
NIO - Antifreeze system	■	■	■	
Operating temperature	-20°C / +55°C	-20°C / +55°C	-20°C / +55°C (-35°C / +55°C with NIO enabled)	-20°C / +55°C

# Accessories

The wide range of Ditec accessories allows the access systems to be used with various control and monitoring options



#### Gol 4 transmitter

Fixed code, four channel-four function transmitter, with cloning option, or with rolling code system. Certified and compliant with all current directives.



#### Gol 4M keyboard transmitter with digital combination

Four channel coded control. Allows electrically operated entrances to be opened with radio signals by entering a code. Wall mounted.



#### Lan 7 control device with proximity control

Wireless identification system, featuring TRANSPONDER technology. Allows detection without the need for a touch-controlled device.



#### Xel 5 key operated selector switch

Fitted with a tamper proof or vandal resistant device. Can be wall or column mounted.



#### Lan 4 digital combination system

Digital combination, vandal proof keypad. Up to 8 number PIN.



#### Lamp

24 V flashing light with flashing operation controlled from the control panel.



#### Sof safety edges

These are fitted to all entrance control systems to ensure maximum safety during opening and closing operations.



#### Xel 2 and Lab 3 IR photocells

Allowing automation to operate at maximum safety levels. For wall or vertical mounting. Modulated infrared beam.

When building the system, only use Ditec accessories and safety devices.

Ditec automations all feature CE marking and are designed and built in compliance with the safety requirements of the Machinery Directive (2006/42/EC), of the Electromagnetic Compatibility Directive (2004/108/EC) and of the Low Voltage Directive (2006/95/EC) and of other Directives, laws, specific standards for special products and situations.

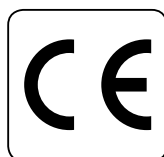
The Company reserves the right to make changes which may improve the products.

For this reason, the technical details featured in this catalogue are not binding.

The pictures shown in this leaflet were taken with the consent of those concerned or in public locations.

Further information can be found in the Technical Manuals available at the website: [www.ditecentrematic.com](http://www.ditecentrematic.com)

**Ditec**  
**ENTRE//MATIC**



#### Entrematic Italy S.p.A.

Via Mons. Banfi, 3 • 21042 Caronno P.lla (VA) • Italy

Tel +39 02 963911 • Fax: +39 02 9650314

[www.ditecentrematic.com](http://www.ditecentrematic.com)

Cod. N200B - 01/2013  
Automations for sliding gates  
gdp milano 135065

Ditec is present in: Belgium, France, Germany, Portugal, Spain, Sweden, Switzerland, Turkey, Latin America, USA, Canada and China.

For addresses and contacts visit our website [www.ditecentrematic.com](http://www.ditecentrematic.com)

