



# Everything becomes automatically more convenient!

Discover the Ditec Entrematic automation

EN

# A complete range of products for any Ditec Entrematic automation



Automation for  
sectional overhead doors

Ditec Globe

PAGE 4



Automation for  
up-and-over doors

Ditec Box

PAGE 8



Automation for  
interior sliding doors

Ditec Olly C

PAGE 18



Automation for  
frames

Ditec Olly E

PAGE 20



type of service:



Automation for sectional, folding and sliding doors

Automation for folding doors

Ditec Dod

PAGE 12

Ditec Dor

PAGE 15



Automation for swing shutters

Accessories

Ditec Radius

PAGE 22

Accessories

PAGE 26





# PER FOR MING

**It doesn't take much to improve life**

You can enter your garage without any difficulty, even in bad weather or with your hands are full, thanks to the **Ditec Globe** automation for garage doors. All it takes is one click of the remote.

The Ditec Globe automation is easy to install, sturdy and reliable; and they can be fitted with a wide range of control, command and safety accessories.

# Ditec Globe

**Sturdy motor for total reliability**  
**Elegant and harmonious design, enhancing aesthetics**

Enjoy the convenience of the Ditec Globe automation: it lets you open your door completely automatically, at a considerable distance from your garage.

## Versatile

Ditec Globe drive unit, installed on the ceiling and completed by original control and safety accessories, it perfectly automates any type of sectional and up-and-over garage doors.

## Practical

You will be able to open your garage and switch the lights on at the same time using the same remote control, for better visibility and security in the dark and in bad weather conditions.

## Safe

The advanced encoder system managing the stroke, the speed and the slow-down effects of the sectional overhead door, detects obstacle presence on opening and closing and offers great operative safety.

## Energy savings

The energy saving associated with using the Ditec Globe drive systems guarantees real energy savings with environmental and economic benefits.

## Distinctive features

- Control panel complete with radio receiver and built-in courtesy light. Fade effect in the Ditec Globe 7 and Ditec Globe 10 models
- High level of safety guaranteed by the 24 VCC motor
- Internal handle-release system, or remotely with cord (optional)
- Stroke control via encoder
- Chain transmission systems (Ditec Globe 6) or, for quieter operation, cogged belt, inserted in steel sliding guides
- Easy to install, without the need for masonry work
- Full range of installation accessories and remote control.

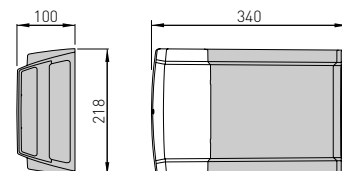


## Product range

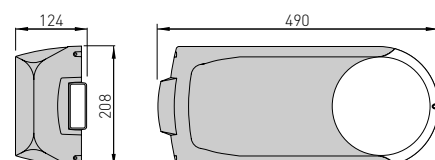
	type of drive	stroke up to	max. capacity
Globe 6	chain	2300 mm	7 m <sup>2</sup>
Globe 7	belt	2500 mm, can be extended to 3500 mm	7 m <sup>2</sup>
Globe 10	belt/chain	2500 mm, can be extended to 3500 mm	10 m <sup>2</sup>

## Dimensions

### Ditec Globe 6



### Ditec Globe 7 / Ditec Globe 10



# Accessories, example of installation and technical characteristics

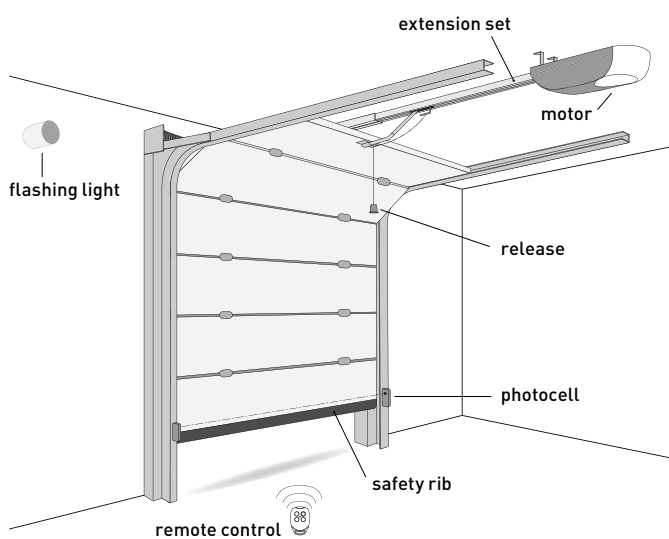
## Specific accessories

- Chain extension set L = 1120 mm, for Globe 10L
- Belt extension set L = 1120 mm, for Globe 7 and Globe 10V
- Kit for external cord-operated release system with lock, L = 900 mm
- Battery kit for power supply in case of power failure for Globe 7 and Globe 10
- Adaptor for Globe 7 and Globe 10 up-and-over doors with counterweights
- Cord-operated release system L = 2000 mm

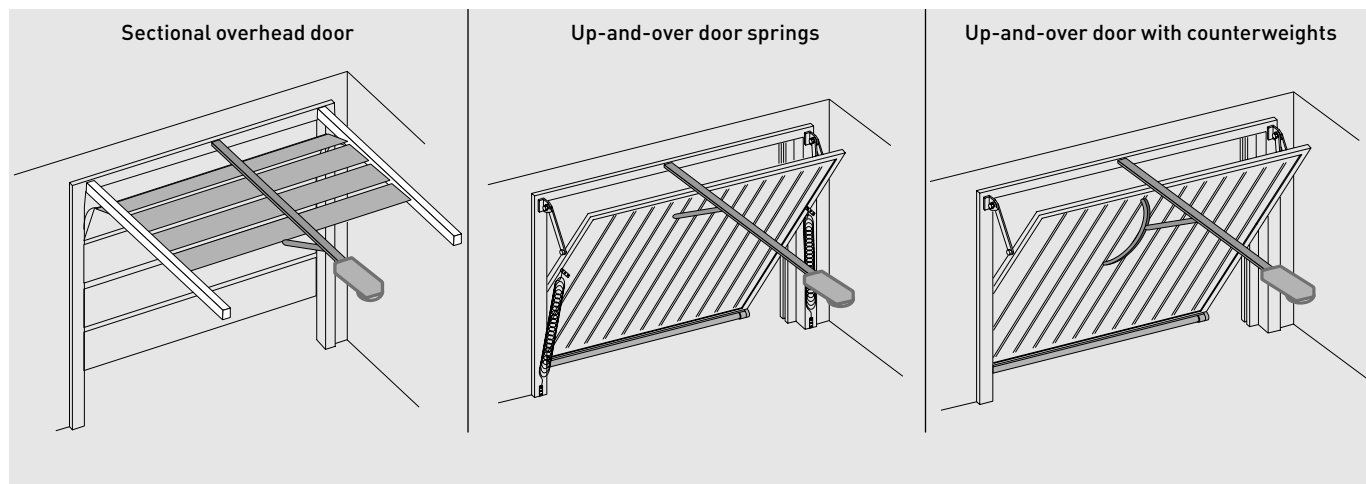


## Installation type

Ditec Globe



## Installation examples



## Technical specifications

Description	Globe 6	Globe 7	Globe 10
Actuator electromechanical	for sectional and up-and-over doors with springs	for sectional overhead and spring and counterweight up-and-over doors	for sectional overhead and spring and counterweight up-and-over doors
Stroke control	encoder	encoder	encoder
Maximum capacity	7 m <sup>2</sup>	7 m <sup>2</sup>	10 m <sup>2</sup>
Duty class	2 - light	3 - medium duty	3 - medium duty
Intermittent operation	S2 = 4 min S3 = 30%	S2 = 30 min S3 = 50%	S2 = 30 min S3 = 50%
Power supply	230 V AC / 50-60 Hz	230 V AC / 50-60 Hz	230 V AC / 50-60 Hz
Power input	0.7 A	0.7 A	1.2 A
Torque/Thrust	550 N	500 N	900 N
Opening Speed	0.10 m/s (chain)	0.18 m/s (belt)	0.15 m/s (chain) 0.18 m/s (belt)
Closing speed	0.10 m/s (chain)	0.12 m/s (belt)	0.10 m/s (chain) 0.12 m/s (belt)
Release system for manual opening	rope	rope	rope
Operating temperature	-20°C / +40°C	-20°C / +55°C	-20°C / +55°C
Protection rating	IP 20	IP 10	IP 10
Product dimensions (mm)	340x218x100	490x208x124	490x208x124
Control panel	(built-in)	70R (built-in)	71R (built-in)

## System functions

	Globe 6	Globe 7	Globe 10
Description	Built-in	70R	71R
Control panel	for 1 24 V DC motor with built-in radio	for 1 24 V DC motor with built-in radio	for 1 24 V DC motor with built-in radio
Mains power supply	230 V AC / 50-60 Hz	230 V AC / 50-60 Hz	230 V AC / 50-60 Hz
Batteries		■ (optional)	■ (optional)
 Energy saving	reduced consumption when in use	reduced consumption when in use	reduced consumption when in use
Number of motors	1	1	1
Motor power supply	24 V DC / 4.5 A	24 V DC / 8 A	24 V DC / 12 A
Accessories power supply	24 V DC / 0.5 A	24 V DC / 0.3 A	24 V DC / 0.3 A
Electro-mechanical lock			24 V DC / 1.2 A
Flashing light		24 V	24 V
Automation open warning light			analogue
Courtesy light	■	■	■
Encoder to control speed and deceleration	■	■	■
ODS - Obstruction Detection System	■	■	■
Braking/slowing down	■	■	■
Open control	■	■ (with dip-switch)	■
Partial opening control		■ (only with radio)	■ (only with radio)
Temporised automatic closing	■	■	■
Inching control	■	■	■
Emergency stop	■	■	■
Emergency reverse	■	■	■
Soft start	■	■	■

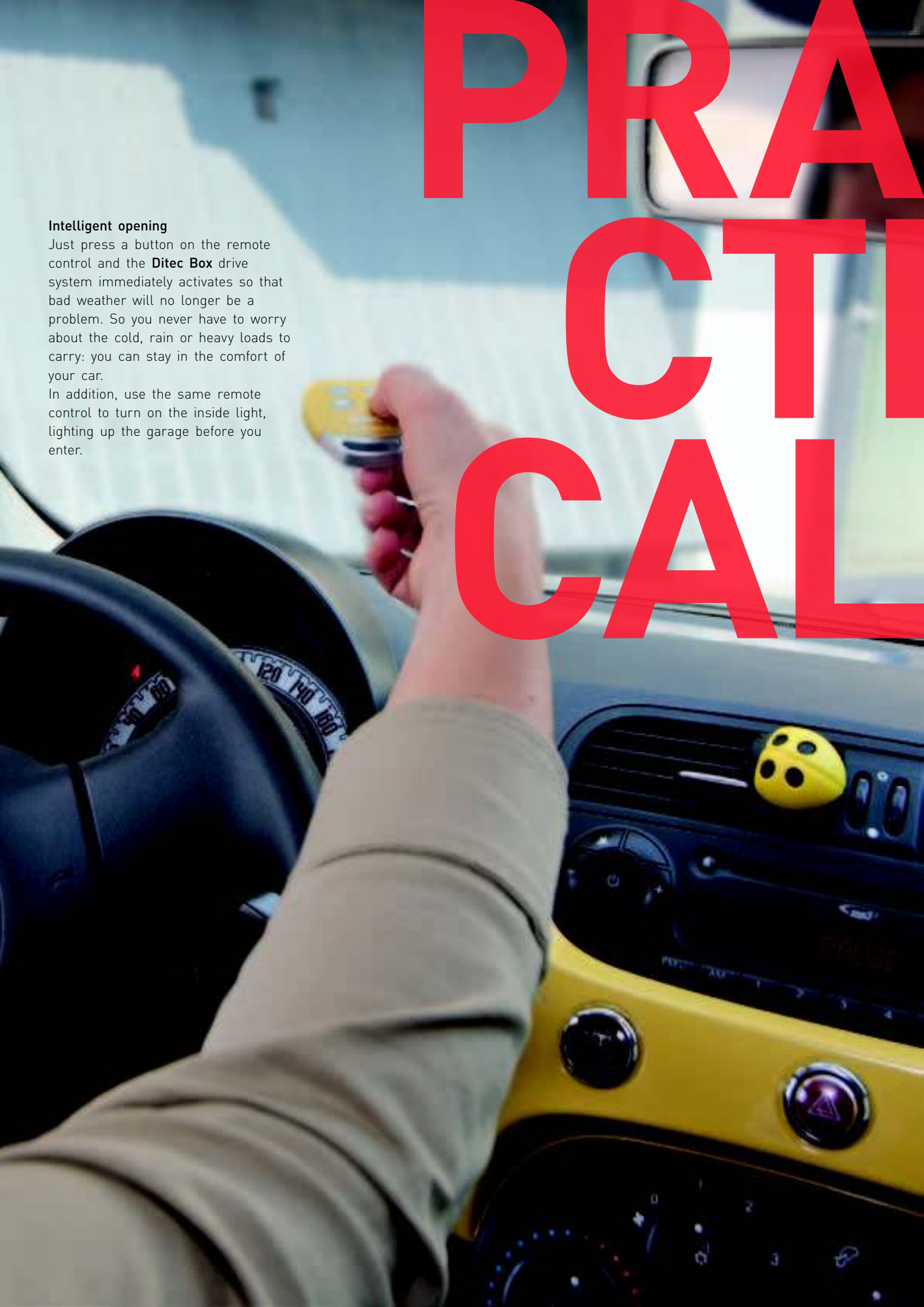


# PRACTICAL

## Intelligent opening

Just press a button on the remote control and the **Ditec Box** drive system immediately activates so that bad weather will no longer be a problem. So you never have to worry about the cold, rain or heavy loads to carry: you can stay in the comfort of your car.

In addition, use the same remote control to turn on the inside light, lighting up the garage before you enter.





# Ditec Box

**A robust, proven system that keeps on going**  
**The ideal solution for up-and-over doors**

Ditec Box is the perfect solution to automate your overhead garage door.

Ditec Box is sturdy, indefatigable and easy to install, and with either 1 or 2 gearmotors, it can move even very large counterweight up-and-over doors with standard panel or with non-protruding or folding panel.

Ditec Box is provided with a full range of control and safety accessories.

## Reliable

The Ditec Box gearmotor is equipped with a motor protected by a thermal probe (Box 30-40). The reduction system and relative steel gears work with permanent lubrication and are inserted in sturdy aluminium diecastings.

Ditec Box is housed in an ABS cover and is provided with a courtesy light diffuser (Box 30-40), which lights up automatically for 180 seconds on receiving the open command.

## Easy to release, in the event of power failure

The automation can always be released manually, in the event of power failure, by lock releasing the gear motor from the inside by means of a lever or from the outside by means of a personalized key. Optional metal-cord or rigid-boom systems are also available to be applied to the handle on the wing.

## Installation without structural changes

The system has been designed to enable easy and quick mounting, avoiding any structural change of the door.

## Comfort and security

Having your garage door automated is an unquestionable comfort, especially when weather conditions are bad, but it is also a security because it allows you to defend your privacy and all private areas.

## Distinctive features

- EC marking
- External ABS cover
- Standard internal release system with direct control by lever and externally by key. Optional solutions with rod or cord
- Motor protected by an internal temperature probe
- Operation also at low temperatures
- Complete line of accessories for assembly
- Complete line of command, control and safety accessories

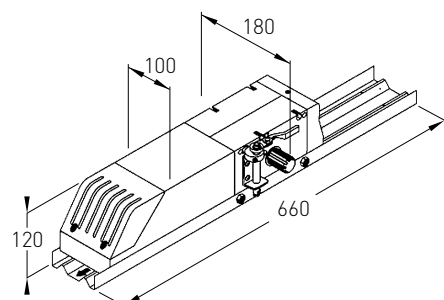


## Product range

	Box 30	Box 40	Box 3EH
Service	frequent	frequent	frequent
Motor power supply	230 V AC / 5 A	230 V AC / 5 A	24 V DC / 8 A
Operating time	18 s	26 s	15 ÷ 30 s

## Dimensions

Ditec Box



# Accessories, example of installation and technical characteristics

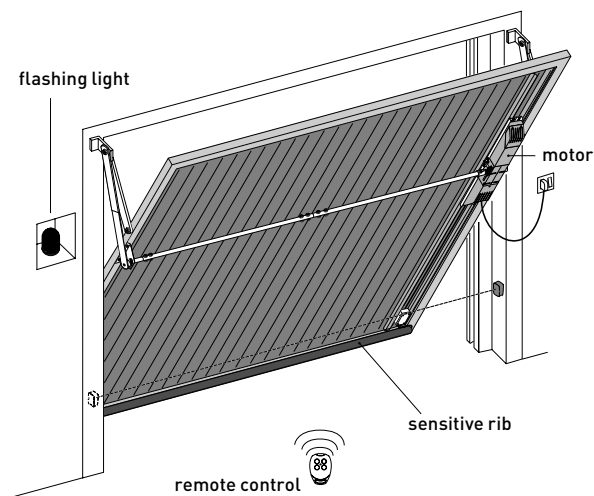
## Accessories

- Limit-switch unit
- Straight arms torque
- Curved arms torque
- Accessories set for lateral assembly
- Accessories set for central assembly
- Torque of extensions for arms

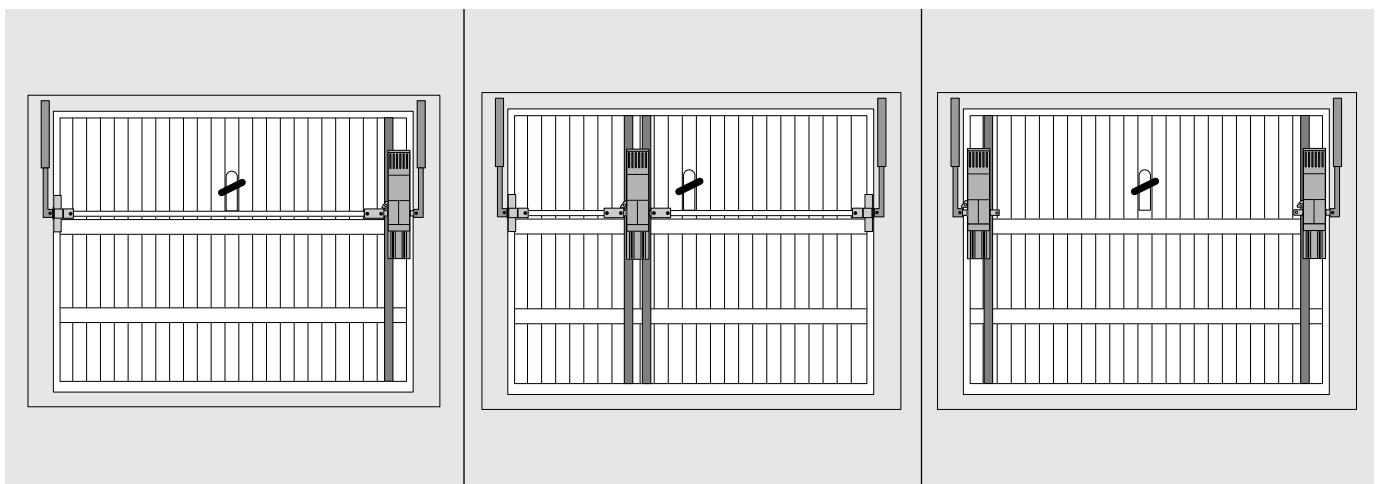


## Installation type

### Ditec Box




## Installation examples



## Technical specifications

Description	Box 30	Box 40	Box 3EH
Electromechanical actuator	for up and over doors with counterweight	for up and over doors with counterweight	for up and over doors with counterweight
Stroke control	rotary limit switch (optional)	rotary limit switch (optional)	encoder + rotary limit switch
Maximum capacity	7 m <sup>2</sup> (1 motor) 12 m <sup>2</sup> (2 parallel motors)	7 m <sup>2</sup> (1 motor) 12 m <sup>2</sup> (2 parallel motors)	7 m <sup>2</sup> (1 motor) 12 m <sup>2</sup> (2 parallel motors)
Duty class	3 - medium duty	3 - medium duty	3 - medium duty
Intermittent operation	S2 = 15 min S3 = 25%	S2 = 15 min S3 = 25%	S2 = 30 min S3 = 50%
Power supply	230 V AC / 50 Hz	230 V AC / 50 Hz	24 V DC
Power input	1.3 A	1.2 A	8 A
Torque	300 Nm	300 Nm	300 Nm
Opening time	18 s	26 s	15÷30 s
Release system for manual opening	lever / key	lever / key	lever / key
Operating temperature	-20°C / +55°C	-20°C / +55°C	-20°C / +55°C
Protection rating	IP 44 IP 40 (E1 BOX)	IP 44 IP 40 (E1 BOX)	IP 40
Product dimensions (mm)	660x100x120	660x100x120	660x100x120
Control panel	E1BOX	E1BOX	E1HBOX (built-in)

## System functions

	Box 30 - 40	Box 3EH
Description	E1BOX	E1HBOX
Control panel	for 1 motor (or 2 parallel motors) 230 V AC with built-in radio	for 1 motor (or 2 parallel motors) 24 V DC with built-in radio
Mains power supply	230 V AC / 50 Hz	230 V AC / 50-60 Hz
Batteries		■ (optional)
 Energy saving	reduced consumption when in stand-by	reduced consumption when in stand-by
Number of motors	1	1
Motor power supply	230 V AC / 5 A	24 V DC / 8 A
Accessories power supply	24 V DC / 0.5 A	24 V DC / 0.3 A
Flashing light	230 V	24 V
Automation open warning light	from limit switch	analogue
Courtesy light	■	■
Limit-switch provision	■	■
Encoder speed and deceleration control		■
Force setting	electronic	automatic
ODS - Obstruction Detection System	■	■
Speed setting		■
Braking/slowing down		■
Time setting	■	
Open control	■ (with dip-switch)	■ (with dip-switch)
Partial opening control	■ (only with radio)	
Close control	■	■
Temporised automatic closing	■	■
Inching control	■	■
Hold-to-run control	■	■
Emergency stop	■	■
Emergency reverse	■	■
Operating temperature	-20°C / +55°C	-20°C / +55°C



# VER SA TILE

**Ditec Dod** has been designed for a simple and fast installation and, above all, is suitable for any structure (including pre-existing) and operating need.

It automates large sectional overhead doors, folding doors, and sliding doors.

# Ditec Dod

Modern and refined design

Simple, fast installation, adaptable to any structure

## Ease of installation

Keyed on driving shaft or featuring pinion and chain transmission, making other moving parts superfluous. Adjustable rotating limit-switch unit complete with 3 limit switches.

Fitting with pinion and crown favours adapting movement speed to one's own needs or installation when side space is restricted.

The Ditec Dod automation is complete with safety accessories and controls in compliance with standards in force.

## Small and compact dimensions: for application even in restricted spaces

Various possible applications:

- longitudinal installation on sectional overhead doors
- installation with pinion and crown on sectional overhead doors
- installation on sliding doors
- installation on sliding doors with chain transfer
- installation on folding doors

## Specific accessories

- Accessories for axial mounting
- Pinions
- Sleeves
- Chain and crown
- Manual reopening device with rope or handle



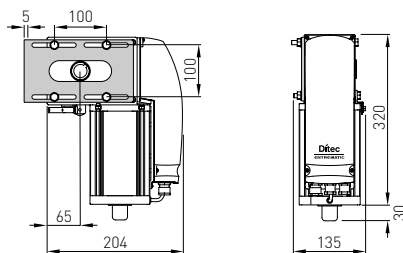
## Product range

Description	Dod 12*	Dod 14*	Dod 15*
Torque	45 Nm	60 Nm	65 Nm
Motor	Single-phase	Single-phase	Three-phase

\* Can be released by rope, manual operation of the wing

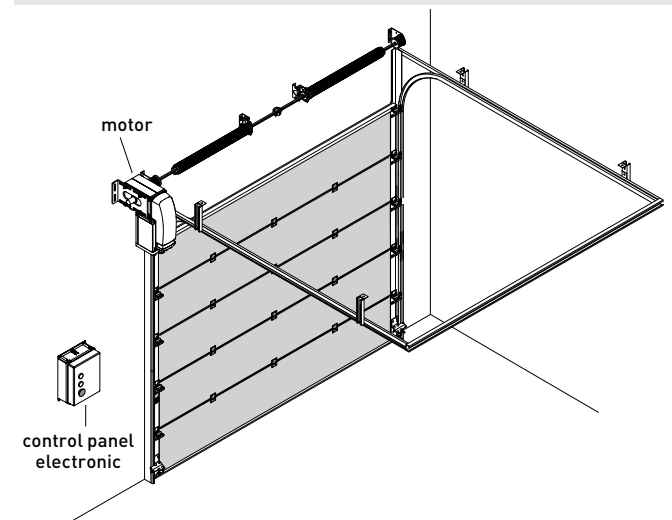
## Dimensions

Ditec Dod

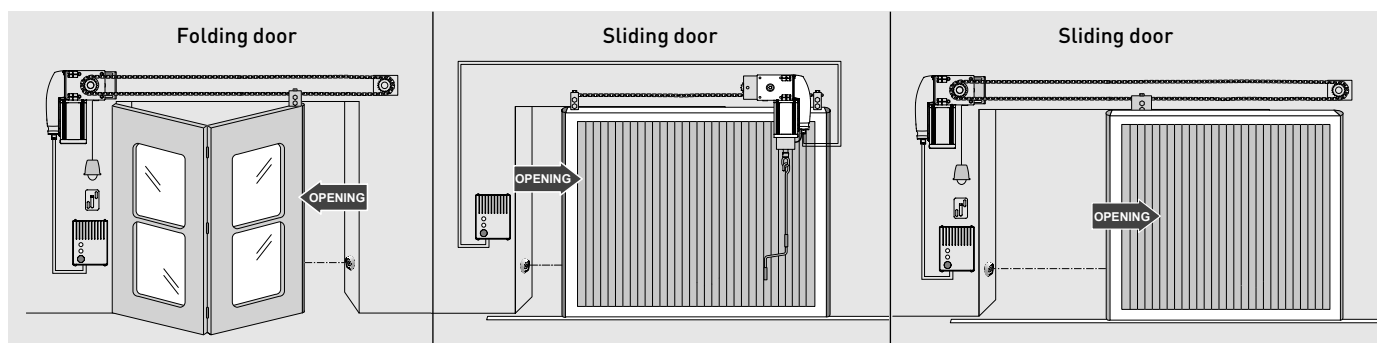


## Installation type

Ditec Dod



## Installation examples



## Technical specifications

Description	Dod 12	Dod 14	Dod 15
Electromechanical actuator	for sectional overhead doors and sliding doors	for sectional overhead doors and sliding doors	for sectional overhead doors and sliding doors
Stroke control	rotary limit switch	rotary limit switch	rotary limit switch
Duty class	4 - heavy duty	4 - heavy duty	4 - heavy duty
Intermittent operation	S2 = 30 min S3 = 50%	S2 = 30 min S3 = 50%	S2 = 30 min S3 = 50%
Power supply	230 V AC / 50 Hz	230 V AC / 50 Hz	400 V AC / 50 Hz
Power input	3 A	3 A	1.2 A
Torque/Thrust	45 Nm	60 Nm	65 Nm
Drive shaft revolutions	32 RPM	22 RPM	32 RPM
Release system for manual opening	rope handle	rope handle	rope handle
Operating temperature	-20°C / +55°C [-35°C / +55°C with NIO enabled]	-20°C / +55°C [-35°C / +55°C with NIO enabled]	-20°C / +55°C
Protection rating	IP 54	IP 54	IP 54
Product dimensions (mm)	135x264x350	135x264x350	135x264x350
Control panel	E1A	E1A	E1T

## System functions

Description	Dod 12 - Dod 14	Dod 15
Control panel	E1A	E1T
Mains power supply	for 1 motor 230 V AC with built-in radio	for 1 three-phase motor 400 V AC
Number of motors	1	1
Motor power supply	230 V AC / 5 A	400 V AC / 6 A
Accessories power supply	24 V DC / 0.5 A	24 V DC / 0.5 A
Flashing light	230 V	24 V
Automation open warning light	from limit switch	from limit switch
Courtesy light	■	
Limit-switch provision	■	■
Force setting	transformer	
ODS - Obstruction Detection System	■	
Time setting	■	
Open control	■ (with dip-switch)	■ (with dip-switch)
Partial opening control	■ (only with radio)	■
Close control	■	■
Temporised automatic closing	■	■
Inching control	■	■
Hold-to-run control	■	■
Emergency stop	■	■
Emergency reverse	■	■
Safety test	■	■
NIO - Antifreeze system	■	
Operating temperature	-20°C / +55°C [-35°C / +55°C with NIO enabled]	-20°C / +55°C
Protection rating	IP 55	IP 55
Product dimensions (mm)	187x261x105	238x357x120



# RELIABLE

# IAB

# LE

Simple and reliable, **Ditec Dor** is an external actuating arm system for folding doors with articulated leaves. Positioned over the leaves, it ensures smooth opening and closing.

# Ditec Dor

External actuating arm for folding doors with articulated leaves  
Minimum space with maximum function

## Simple and reliable

Ditec Dor actuates folding doors with two articulated leaves, up to 1.5 + 1.5 m long: mounted on one wing only, opening and closing is carried out by means of a simple telescopic arm.

It is fitted with a remote lock release system which always ensures manual operation, if needed, in case of power failure. Dor 1B automation is fitted with a lock release system with cord.

## Minimum size

The very small size of Ditec Dor allows passage of means slightly narrower than that of the door and makes it possible to adapt them to any space requirement.

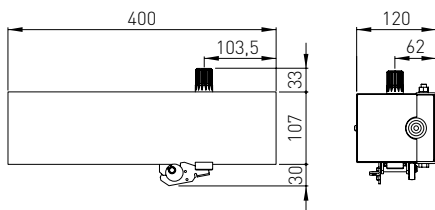
## Specific accessories

- Straight arm



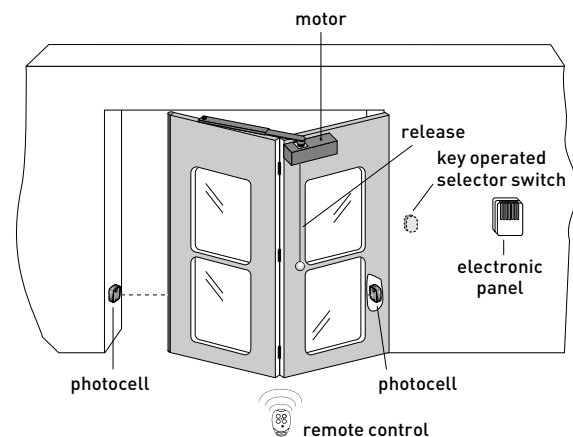
## Dimensions

Ditec Dor 1BH - Ditec Dor 1BHS



## Example installation


Ditec Dor 1BH - Ditec Dor 1BHS



## Technical specifications

Description	Dor 1BH	Dor 1BHS
Electromechanical actuator	for folding doors	for folding doors
Maximum capacity	500 kg (1.5 m + 1.5 m)	500 kg (1.5 m + 1.5 m)
Duty class	4 - heavy duty	4 - heavy duty
Intermittent operation	S2 = 30 min S3 = 50%	S2 = 30 min S3 = 50%
Power supply	24 V DC	24 V DC
Power input	12 A	12 A
Torque / Thrust	300 Nm	300 Nm
Drive shaft revolutions	2,5 RPM	2,5 RPM
Release system for manual opening	rope	rope
Operating temperature	-20°C / +55°C [-35°C / +55°C with NIO enabled]	-20°C / +55°C [-35°C / +55°C with NIO enabled]
Protection rating	IP 44	IP 55
Product dimensions (mm)	400x120x107	400x120x107
Control panel	VIVA H	VIVA H

## System functions

Dor 1BH - Dor 1BHS	
Description	VIVA H
Control panel	for 1 or 2 24 V DC motors
Mains power supply	230 V AC / 50-60 Hz
Batteries	■ (optional)
Energy saving 	reduced consumption when in use
Number of motors	1 or 2
Motor power supply	24 V DC / 2 x 12 A
Accessories power supply	24 V DC / 0.5 A
Electric lock	24 V DC / 1.2 A
Flashing light	24 V
Automation open warning light	analogue
Courtesy light	24 V
Limit-switch provision	■
Encoder speed and deceleration control	virtual encoder
Force setting	automatic
ODS - Obstruction Detection System	■
Speed setting	■
Braking/slowing down	■
Time setting	■
Open control	■
Partial opening control	■
Close control	■
Temporised automatic closing	■
Inching control	■
Hold-to-run control	■
Emergency stop	■
Emergency reverse	■
NIO - Antifreeze system	■
Soft start	■
Operating temperature	-20°C / +55°C [-35°C / +55°C with NIO enabled]
Protection rating	IP 55
Product dimensions (mm)	238x357x120



The automation that makes life simpler.

**Ditec Olly C** contributes to the better planning of residential space and work environments, making them suitable for a larger number of people and allowing them to perfectly meet the requirements of greater comfort, security and accessibility also expressed by the more "vulnerable" categories.

FRI  
EN  
DLY



# Ditec Olly C



Easy to install, quiet and versatile

More comfort in your environment, more freedom in your life!

## Small in size, big in performance

Designed with space-saving in mind, the automation can be installed on commercially available runners for recessed panels.

## For any requirement

The automation is available in three versions: with infra-red radar for automatic operation and/or with pushbutton panel and/or remote control.

## Two practical mounting sets

The automation is supplied complete with two separate sets to make up 1- or 2-wing sliding doors. The sets consist of:

- an actuator complete with control panel
- transfer unit
- the transmission belt
- the belt attachments
- fastening brackets
- support profile and closing cover.

### PLUG & PLAY

### PULL AND GO

Opens and closes by gently pulling in the sliding direction

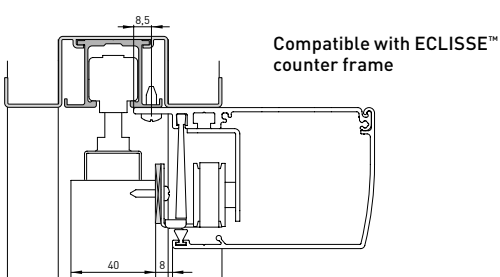
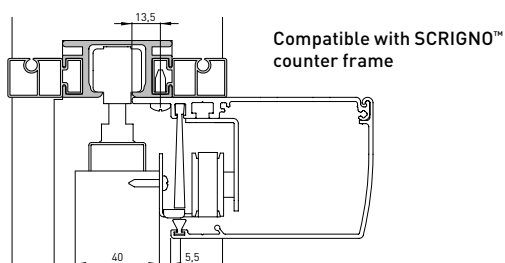
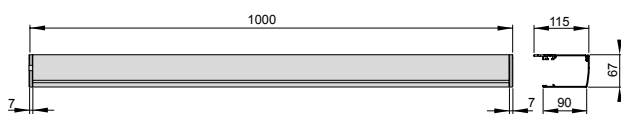
### LOW ENERGY

Opens and closes with reduced energy and speed



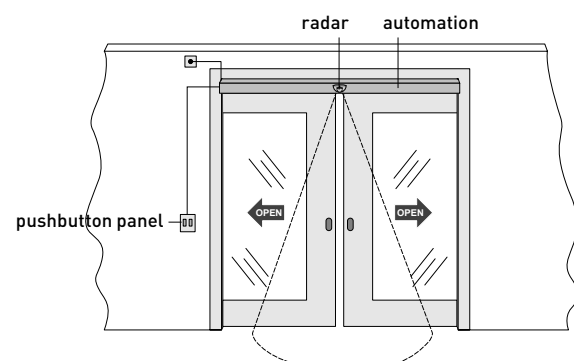
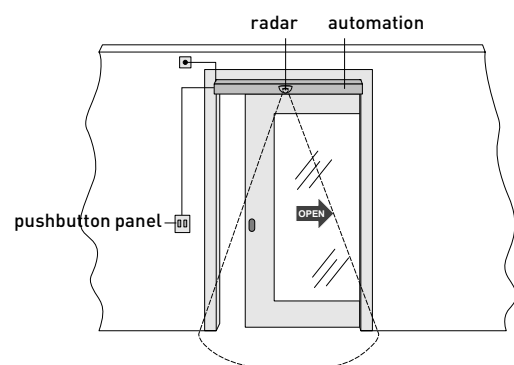
## Dimensions

Ditec Olly C



## Installation examples

Ditec Olly C



# SIL ENT

With **Ditec Olly E** opens and closes the shutters without going outside or, in bad weather, without opening the windows. The automation can be used in a wide range of domestic, commercial and industrial window and door frames, both visible and concealed.



# Ditec Olly E

Move your frames silently

Discover how to make your environment comfortable

## Easy to use

Ditec Olly E is a compact, reliable automation designed to quickly automate internal and external window and door frames.

## Convenience

Its special synthetic belt allows Ditec Olly E to operate quietly and to move door or window wings weighing up to 80 Kg. The automation is controlled through a pushbutton panel or a remote control. These controls allow users to open external window frames without having to open the windows and be exposed to unpleasant temperature changes.

## Truly practical

Window and door frames can be centrally controlled by positioning all control switches in a single area of the house. This clever solution allows users to open and close all window and door frames from a single point, improving the quality of their daily life.

It is particularly beneficial for older or physically impaired users, who will be able to open and close door and window frames from the central control switches without having to move from room to room or to leave the house.

## A practical mounting set

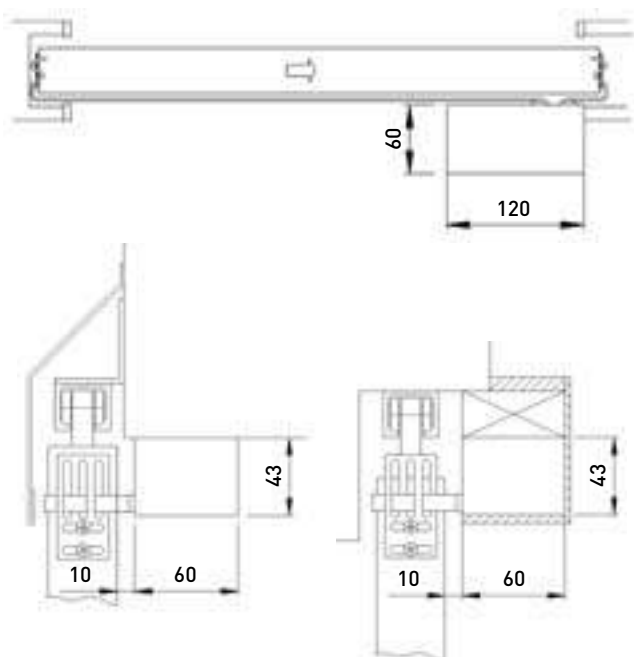
The automation is supplied complete with:

- an actuator
- transmission belt
- two belt connections
- a control panel including radio receiver built-in.



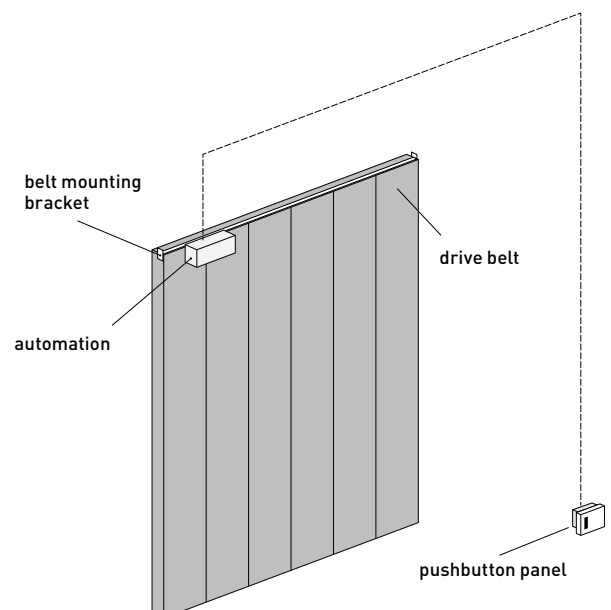
## Dimensions

Ditec Olly E



## Example installation

Ditec Olly E



Simplifies life. **Ditec Radius** can be operated from a simple, wall-mounted control or from a remote control, thus ensuring an intelligent opening and closing operation, which simplifies and improves users' small daily tasks.

This is particularly beneficial for older or physically-impaired users, who will be able to open and close door and window frames from the central control switches without having to move from room to room or to leave the house.



COM  
FOR  
ABLE

# Ditec Radius

**Be comfortable and make life easy**  
**Comfort, safety, adaptability and versatility**

## **Small in size, big in performance**

Small, discreet and quiet, Radius features a simple-action opening and closing leverage system to open your domestic swing blinds and shutters. It can be flush mounted or concealed inside window frames, where its compact size or anodised casing makes it very unobtrusive.

## **Easy and practical to use**

Practical and versatile, thanks to its specially-designed mechanical arm, it moves the shutters even when there are exterior protective metal grilles. This feature is particularly useful because it is possible to open and close the shutters without having to go outside or, in bad weather, without having to open the windows.

## **Safety**

Its reversible motor makes it easy to release it in case of power failure, whilst its special Radius Lok device safely locks the window panels in position.

## **Fully versatile**

The mechanically-operated adjustable arms and the pre-drilled holes make Radius an easy-to-fit and fully-versatile automation, suitable for different wall sizes and hinge shapes. The guides are galvanised and, therefore, can be painted. They offer a high resistance to oxidising and blend in perfectly in the window frame, meeting all requirements.

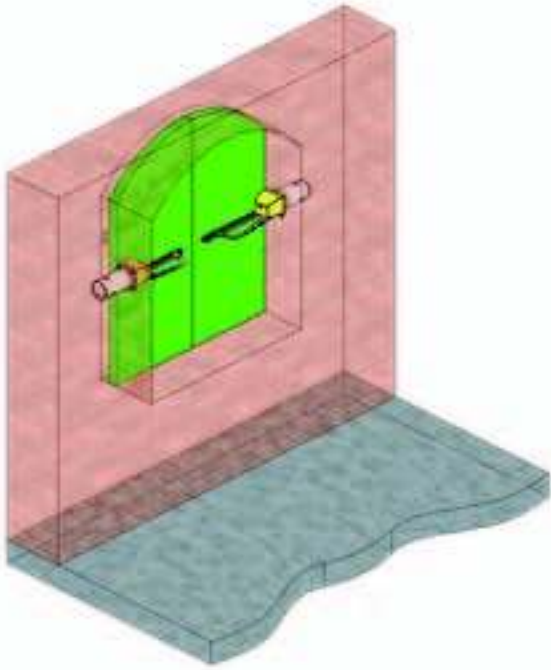




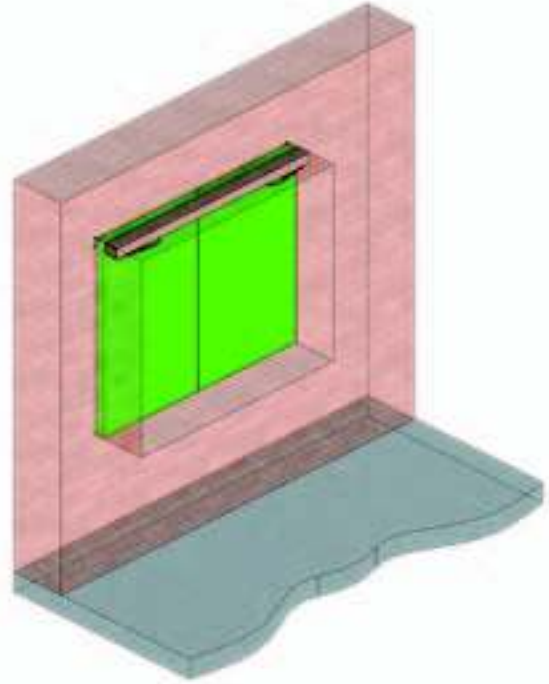
# Installation examples

## Installation examples

Ditec Radius - Example with built-in automation



Ditec Radius - Example with automation in aluminium profile






# Technical features and system functions

## Technical specifications

	Olly C	Olly E	Radius
Description	electromechanical actuator for interior sliding doors	electromechanical actuator for sliding frames	electromechanical actuator for swing shutters
Special uses	disabled use		
Stroke control	encoder		
Maximum capacity	40 kg	80 kg	30 kg (1 wing) 60 kg (2 wings)
Duty class	3 - medium duty	2 - light	2 - light
Intermittent operation	S2 = 30 min S3 = 50%	S2 = 7 min S3 = 15%	S2 = 7 min S3 = 15%
Power supply	230 V AC / 50-60 Hz	230 V AC / 50-60 Hz	230 V AC / 50-60 Hz
Power input	0.2 A	1.8 A	1.4 A
Torque/Thrust	30 N	50 Nm	23 Nm
Opening Speed	0.4 m/s	0.1 m/s	12 s
Closing speed	0.2 m/s	0.1 m/s	12 s
Maximum opening	2 m	3,5 m	180°
Anti-panic system	OC LOKA		
Operating temperature	-20°C / +55°C	-20°C / +55°C	-20°C / +55°C
Protection rating	IP 20	IP 20	IP 44 with aluminium profile
Product dimensions (mm)	115 x 67 x 1000	60x43x120	70x52xL
Control panel	EL06A (built-in)	R02H	R02H

## System functions

	Olly C	Olly E	Radius
Description	EL06A	R02H	R02H
Control panel	for 1 motor 24 V DC	for 1 19 V DC motor with built-in radio	for 1 or 2 12 V DC motors with built-in radio
Mains power supply	230 V AC / 50-60 Hz	230 V AC / 50-60 Hz	230 V AC / 50-60 Hz
 Energy saving	reduced consumption when in stand-by and in use	reduced consumption when in stand-by and in use	reduced consumption when in stand-by and in use
Number of motors	1	1	1 or 2
Motor power supply	24 V DC / 1.8 A	19 V DC / 1.8 A	12 V DC / 1.4 A
Accessories power supply	24 V DC / 0.3 A		
Electro lock	24 V DC / 0.5 A		12 V DC / 4 A
Encoder speed and deceleration control	■		
Stop device		■	
ODS - Obstruction Detection System	■	■	■
Braking / slowing down	■		
Open control	■	■	■
PUSH AND GO opening	■		
Close control	■	■	■
Temporised automatic closing	■		
Hold-to-run control		■	■
Emergency reverse	■		
Safety-test and safety-monitoring function	■		

# The accessories that make all the difference

The full range of Ditec accessories offers access systems with various command and control possibilities

Available for  
Ditec Globe, Ditec Box,  
Ditec Dod, Ditec Dor

## Gol 4 remote controls

Simply press a button on the remote control and the Ditec drive system springs into action. Thanks to this accessory, foul weather will never be a problem again.



## Caddies for Gol 4 remote controls

These can be positioned on any surface or on your car sun visor so you'll always have your remote control within easy reach.



## Gol 4M keypad transmitter

Four-channel encoded radio command - open by entering the code.



## Xel 2 and Lab 3 IR photocells

For a maximum level of safety in automation. Can be wall or vertical mounted. Modulated infrared beam.



## Xel 5 Key switch

With anti-break-in, anti-vandalism device. For wall or vertical mounting.



## Lan 4 Digital keypad systems

With digital, anti-vandalism combination and secret code up to 8 digits.



Also available for Ditec Olly C

# Control and security are in your hands

## Lamp

24 V and 230 V flashing light with flashing operation controlled from the control panel.



Available for Ditec Globe, Ditec Box, Ditec Dod, Ditec Dor

## Lan 7 device with proximity control

Remotely operated identification system featuring TRANSPONDER technology.



Available for all automation

## Sof safety edge

It is fitted to all entrance-control systems to ensure maximum safety during opening and closing operations.



Available for Ditec Dod and Ditec Dor

## Control sensors

Detect the presence and passage of people in a specific area, in front of the entrance, with operating function controlling the opening and closing of the door.



Available for Ditec Olly C

## Pushbuttons for handicapped users

Perfectly meet the comfort and accessibility needs of more "vulnerable" categories.



Available for Ditec Olly C, Ditec Olly E, Ditec Radius

## Control pushbuttons

They make it possible to open the door or the frame with a slight pressure or by proximity of the hand.



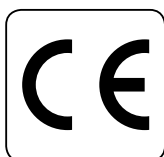
Available for Ditec Olly C

Available for the automation listed



When building the system, only use Ditec accessories and safety devices.  
Every Ditec automation features CE marking and is designed and built in compliance with the safety requirements of the Machinery Directive (2006/42/EC), of the Electromagnetic Compatibility Directive (2004/108/EC) and of the Low Voltage Directive (2006/95/EC) and of other Directives, laws, specific standards for special products and situations.  
The Company reserves the right to make changes which may improve the products.  
For this reason, the technical details featured in this catalogue are not binding.  
The pictures shown in this leaflet were taken with the consent of those concerned or in public locations.  
Further information can be found in the Technical Manuals available at the website: [www.ditecentrematic.com](http://www.ditecentrematic.com)

**Ditec**  
**ENTRE//MATIC**



**Entrematic**

Via Mons. Banfi, 3 • 21042 Caronno P.lla (VA) • Italy

Tel +39 02 963911 • Fax: +39 02 9650314

[ditec@entrematic.com](mailto:ditec@entrematic.com)

[www.ditecentrematic.com](http://www.ditecentrematic.com) • [www.entrematic.com](http://www.entrematic.com)

Cod. N202B - 09/2013  
Ditec Entrematic automation  
gdp milano 144065

Ditec is present in: Belgium, France, Germany, Portugal, Spain, Sweden, Switzerland, Turkey, Latin America, USA, Canada and China.

For addresses and contacts visit our website [www.ditecentrematic.com](http://www.ditecentrematic.com)

